



M500e

ROBUST.  
COMPACT.  
RELIABLE.

M500e

*Pinotti*

ROBUST. COMPACT. RELIABLE.

# M500e – THE ROBUST FORESTRY MULCHER FOR EXCAVATORS

The M500e-1100 is a newly developed forestry mulcher for the class of 18 – 25 t excavators. It fits perfect for carriers up to 230 HP with a hydraulic flow rate between 31.7 – 70 gpm [120 – 265 l/min].

## THE PERFECT MULCHING ATTACHMENT

- for cleaning new areas for construction projects and landscape maintenance
- for the use in preventing and fighting forest fires
- for the maintenance of paths, roads & railroad lines
- for maintenance of power lines and pipelines



## POWERFUL AND EFFICIENT DRIVE

- Two variable HD displacement piston motors available
- Poly belt power transfer: the low maintenance belt system effectively prevents slippage
- All hydraulic connections are located close to the motor, safely protected by the housing



## ROBUST HOUSING

- Shredding chamber with additional counter blades for perfect, uniform shredding of the material.
- Bolted, wear resistant skids and liners out of hardox protect the housing.

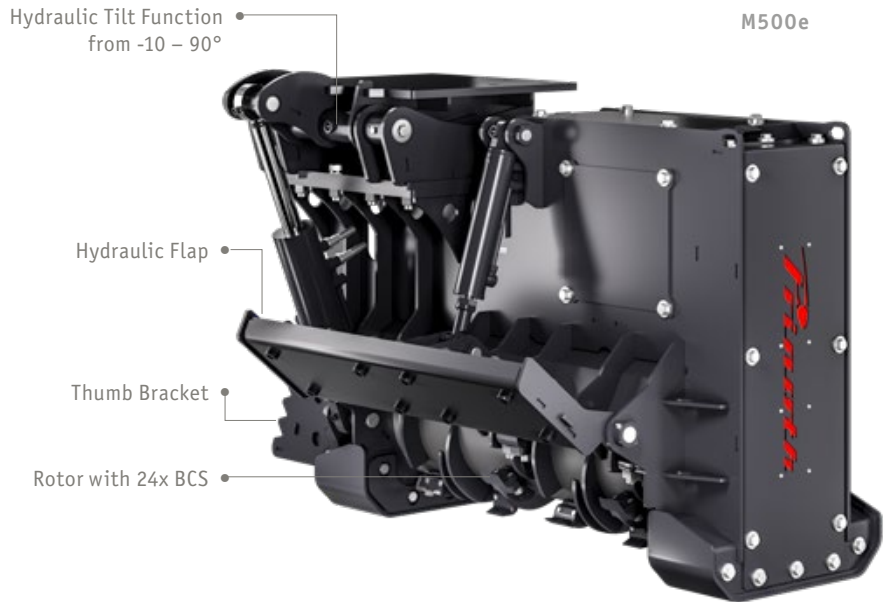


## HYDRAULIC PROTECTION FLAP

The flap on the back of the mulching head enables optimal mulching. It provides extra protection by reducing uncontrolled ejection of mulched material.

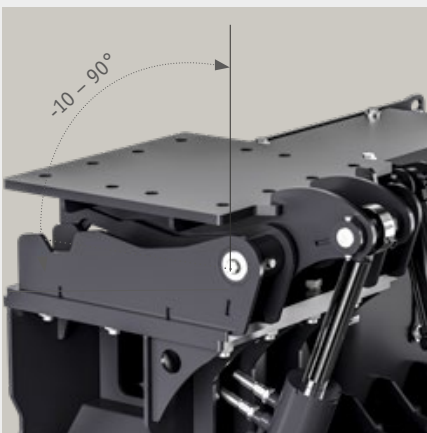
# COMPACT AND RELIABLE

Its robust and compact housing design makes the M500e-1100 universal for mulching trees and heavy brush.



## BCS – BITE CONTROL SYSTEM

BCS stands for “Bite Control System”, which automatically limits cutting depths to produce very consistent mulch. The perfectly balanced rotor with a unique tool arrangement and various tooling options result in minimal fuel consumption and a perfect cutting pattern under the most demanding conditions.



### NEW: TILT FUNCTION

With the tilt function, the mulching head can be moved 10° in forward and 90° in backward position. This means higher productivity and is ideal when working on standing trees.



### THUMB BRACKET

Using the thumb bracket, the operator can position the material to be mulched.

### TECHNICAL DATA M500e

Power class	up to 230 HP
Volume flow	31.7 – 70 gpm (120 – 265 l/min)
Axial piston adjustment motor	115 or 170 cc
Tools	24x BCS oder 28x UPTs
Working width	43.3 in (1,100 mm)
Total width	63.5 in (1,614 mm)
Height	46.5 in (1,180 mm)
Weight*	2,998 lb (1,360 kg)

\* Weight depending on the configuration of the machine

**PRINOTH GmbH**

Im Branden 15  
88634 Herdwangen  
GERMANY  
Tel. +49 7557 92120  
prinoth.germany@prinoth.com

**PRINOTH AG**

Brennerstraße 34  
39049 Sterzing  
ITALY  
Tel. +39 0472 72 26 22  
prinoth@prinoth.com

**PRINOTH Ltd.**

1001 J.-A. Bombardier Street  
Granby Qc J2J 1E9  
CANADA  
Tel. +1 450 776 3600  
sales.na@prinoth.com

Locate your nearest sales and service points at [www.prinoth.com](http://www.prinoth.com)

© 2022. Technical specifications depend on equipment and may vary. Illustrations may contain optional features that do not come as standard. PRINOTH reserves the right to make changes and updates at any time without prior notice. Version 09/2022