

LEITWOLF
BE THE
BEST

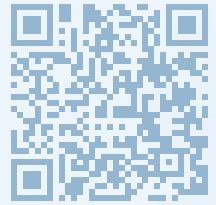


Pinotti[®]



THE PERFECT PAIR

SEE THE LEITWOLF
IN ACTION





EXTREME PERFORMANCE



FOR PERFECT RESULTS









POWER ALL
THE WAY



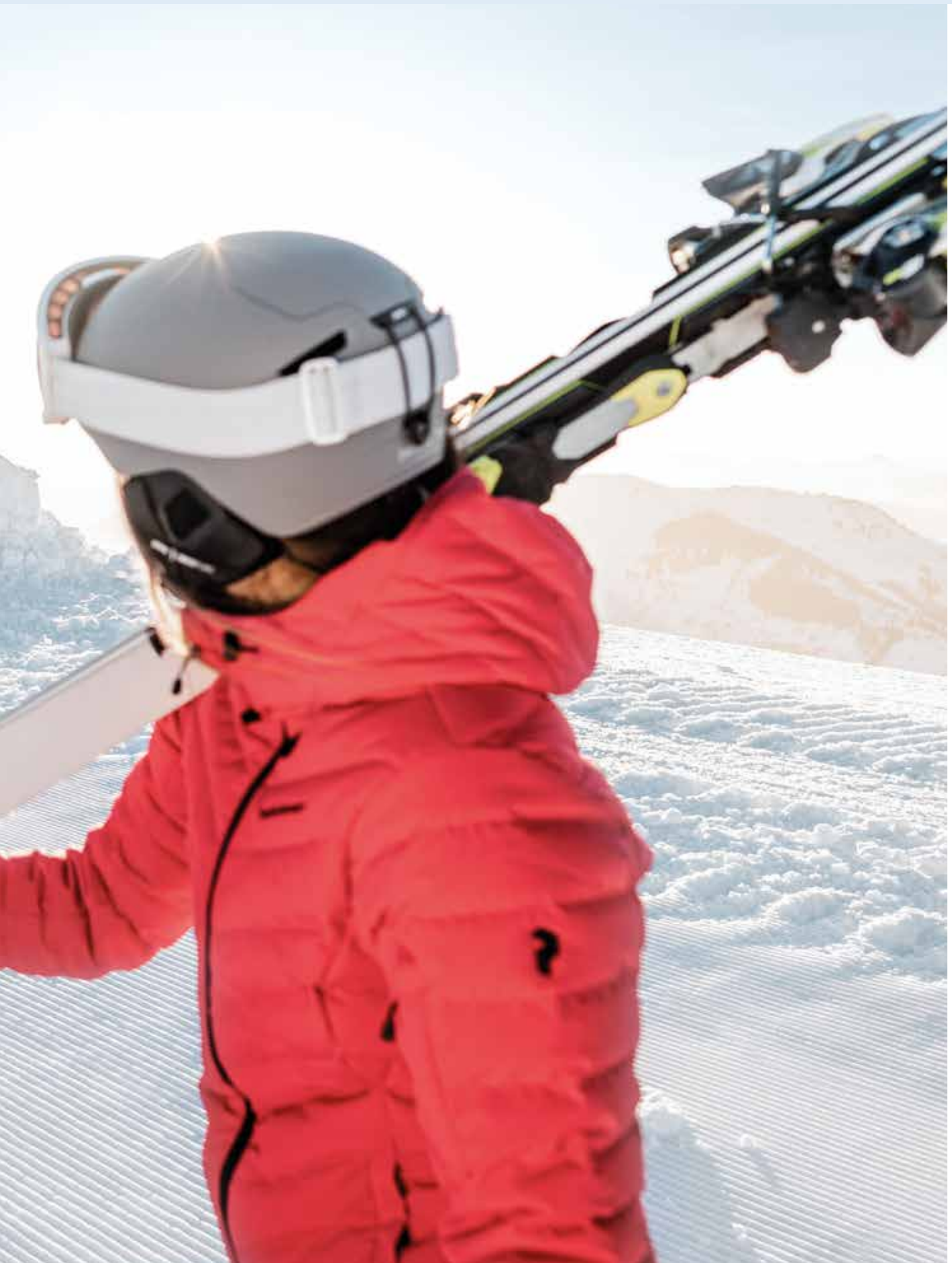


THE
COMFORT
ZONE





THE MOST POPULAR GUY ON THE SLOPES





PRINOTH CONTROL UNIT

OUTSTANDING TEAMWORK – THE LATEST TECHNOLOGY, DESIGN AND COMFORT

A large display and a multifunctional joystick, perfectly adapted to the operator's needs – that's the PRINOTH CONTROL UNIT. PRINOTH is setting new standards in the cockpit with this innovative yet simple operating concept.

CONVENIENT AND PRACTICAL AT THE TOUCH OF A FINGER

A tilting 12-inch touchscreen makes everything easy to see. Configure the display tiles for quick access to the custom user interface and operational settings. A shortcut to the details screen ensures easy drill down into the settings' options. The best possible rear camera view is achieved through the large tile at the top of the display. At the same time important information on the engine, tiller, winch and quick access pages are always visible. Individually adjustable heating and ventilation, head lights with special profiles, a great stereo, Bluetooth and a hands-free telephone system all add up to an exceptional driving experience.

EVERYTHING UNDER CONTROL

It's simply brilliant – an improved joystick with an integrated proportional "joystick-in-joystick" function gives precise control and allows simultaneous blade movement. The latest generation of EATON's proven CAN-bus-controlled system optimizes the movements of the attachments and reduces the number of tubes, makes servicing the machine easier. An ergonomic hand rest on the joystick allows for stress-free grooming even after hours of operation.

• QUICK ACCESS PAGES:
RUNNING GEAR, ENGINE, VEHICLE SETTINGS, CABIN,
FRONT TOOLS, REAR TOOLS, SNOW PARK FUNCTIONS

• FLEXIBLE CAMERA DISPLAY SETTING: SMALL OR LARGE

• PERSONALISED
USER PROFILE

• FULL MENU,
VIRTUAL BUTTONS FOR MIRRORS,
LIGHTS AND BELT TENSIONERS

• KEYPAD:
FOCUS ON DIRECT
ACCESS TO FUNCTIONS,
CLEAR COCKPIT DESIGN

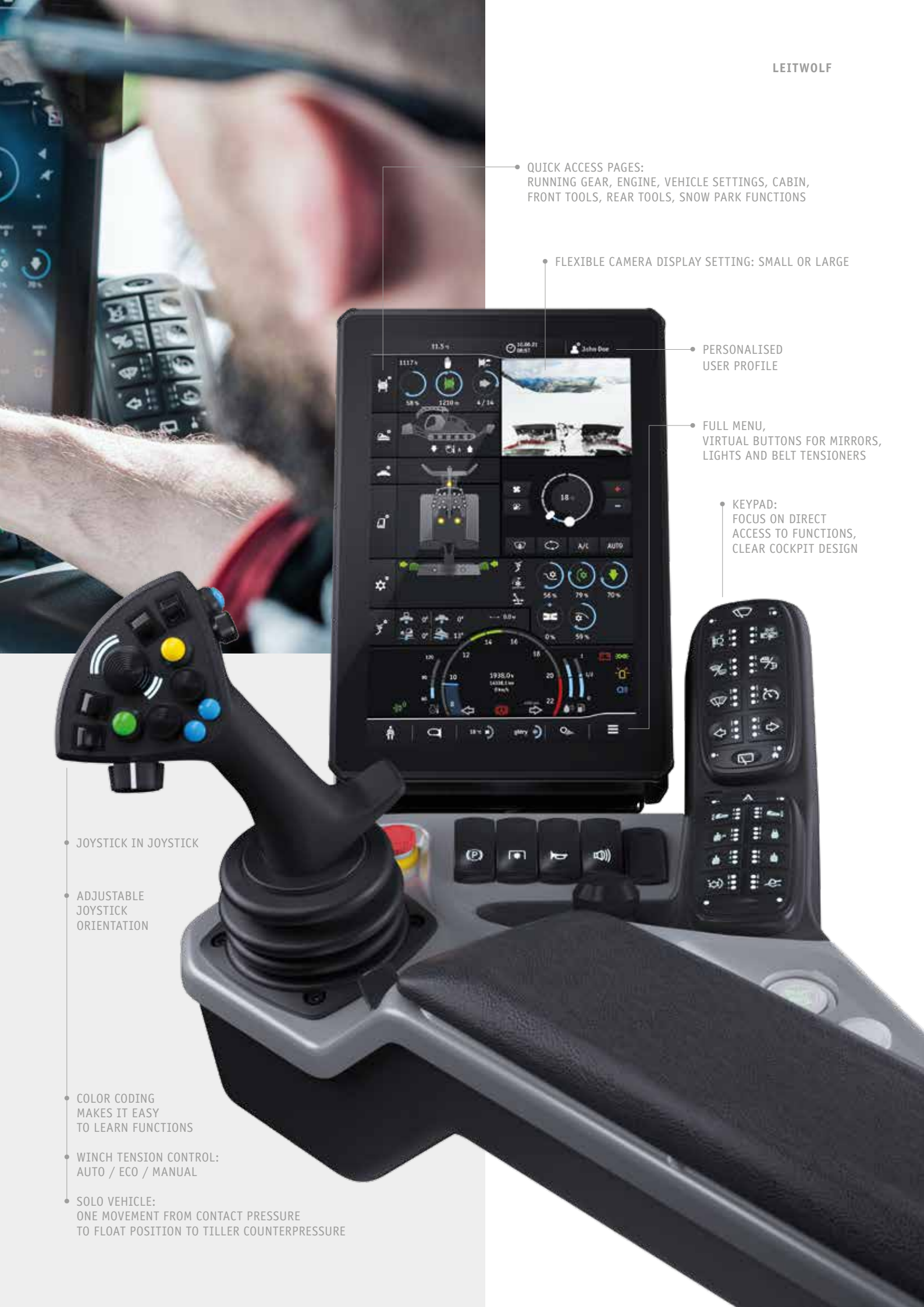
• JOYSTICK IN JOYSTICK

• ADJUSTABLE
JOYSTICK
ORIENTATION

• COLOR CODING
MAKES IT EASY
TO LEARN FUNCTIONS

• WINCH TENSION CONTROL:
AUTO / ECO / MANUAL

• SOLO VEHICLE:
ONE MOVEMENT FROM CONTACT PRESSURE
TO FLOAT POSITION TO TILLER COUNTERPRESSURE



AUTOMATIC WINCH

Extreme slopes - no problem. PRINOTH's automatic winch performs reliably in all conditions and terrain. The winch pivot point is located at the center of the groomer, ensuring neutral handling regardless of the pulling direction. Additionally, the low center of gravity guarantees stability going both up and downhill.

MAKING THE RIGHT CHOICE EASY

The winch can be operated in three different modes with a maximum pulling force of up to 4.5 t. Automatic pulling force control is for operators of every experience level. Operators can also switch between manual and ECO modes, depending on their preference. Additionally, the operator can prioritize pulling force or working speed making the winch easy and intuitive to use.

USER FRIENDLY AND RELIABLE

Due to the large radius of the drum, less strain is put on the cable giving it a much longer life span. The display in the control unit shows the winch status, pulling force and recommended turning direction that together with the hydraulic system enable a smooth operation with less wear. Furthermore, the Roll-Out System option enables the operator to easily pull out the winch cable without any extra effort.



- CENTRAL PIVOT POINT FOR NEUTRAL HANDLING
- 4.5 t PULLING FORCE
- WINCONTROL AUTO/ECO/MANUAL MODE
- ECO MODE WITH REDUCED PULLING FORCE OF UP TO 3.5 t

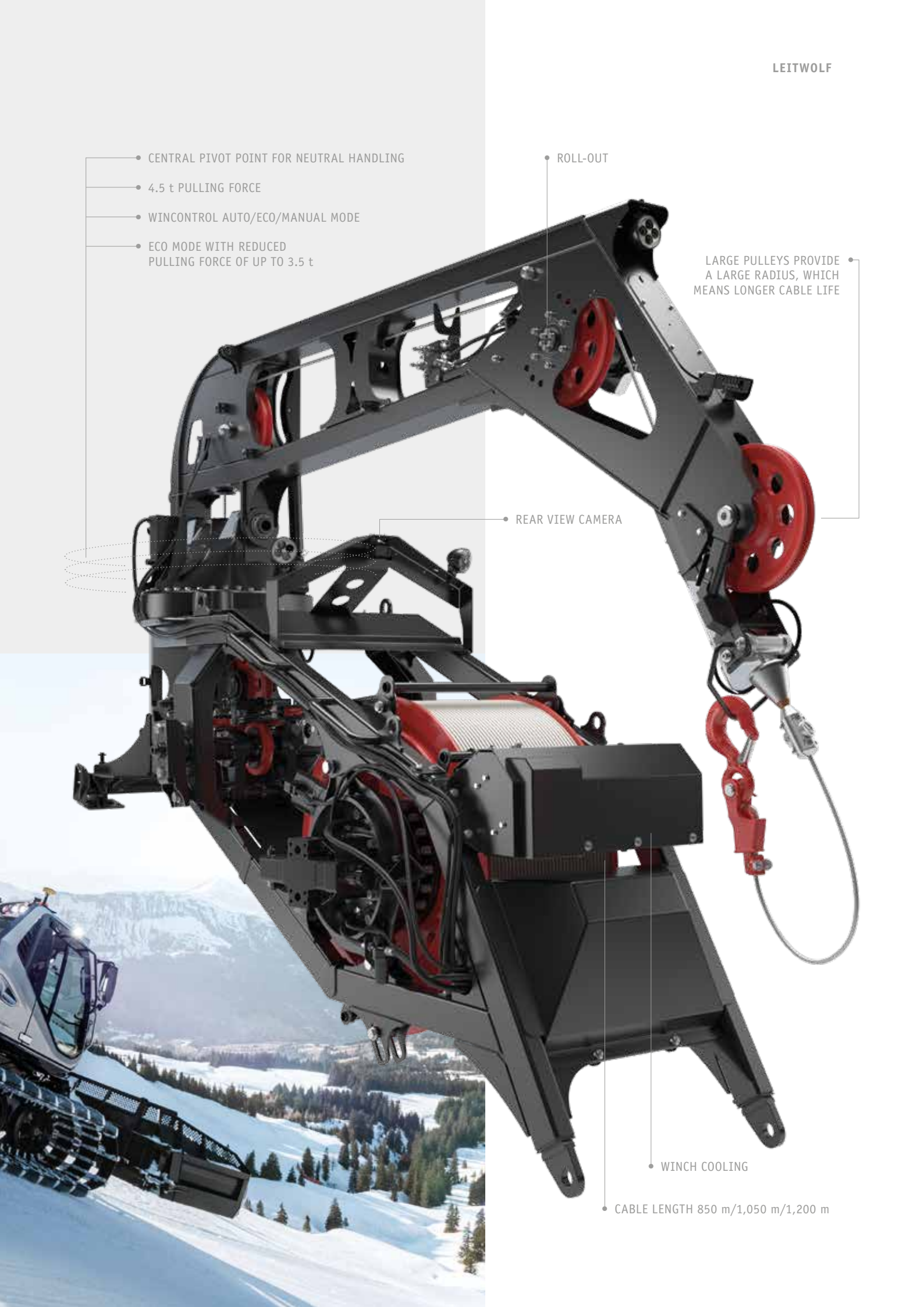
• ROLL-OUT

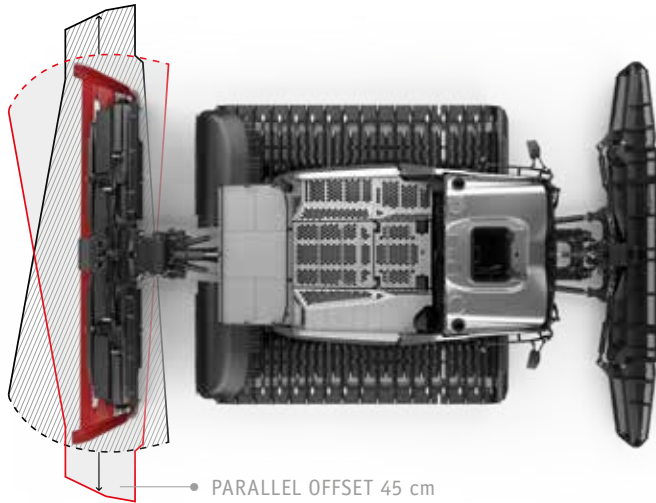
LARGE PULLEYS PROVIDE A LARGE RADIUS, WHICH MEANS LONGER CABLE LIFE

• REAR VIEW CAMERA

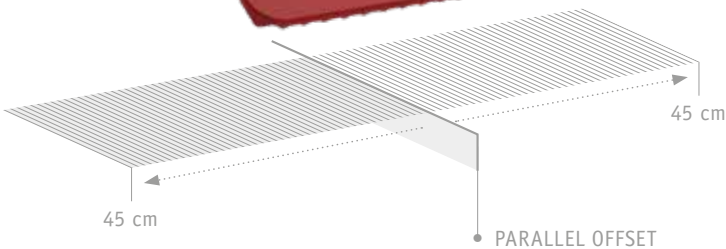
• WINCH COOLING

• CABLE LENGTH 850 m/1,050 m/1,200 m





● PARALLEL OFFSET 45 cm
CHOOSE BETWEEN FREE TRAILING,
LOCKED AND PARALLEL OFFSET SETTINGS



● EVEN PRESSURE
DISTRIBUTION ON
THE FINISHER

● TILLER TEETH ARE ARRANGED
FOR PERFECT RESULTS AND SHAPED
TO ENABLE TILLING IN BOTH
DIRECTIONS OF ROTATION



NEW SIDE WINGS
ENSURE AN EVEN
BETTER SLOPE FINISH

SNOW CHAMBER:
ADJUST SNOW TRANSPORT
TO SUIT THE CONDITIONS AND
CREATE THE IDEAL SLOPE FINISH

TILLING TECHNOLOGY FOR THE PERFECT PISTE

The PRINOTH POWER tiller produces deep, fine-grained grooves which means sensational slope quality that lasts. And, with a working width of 4.5 meter more ground can be covered in less time.

Specially arranged teeth completely transform the snowpack into an even layer. A unique rear-mounted frame with improved cushioning and stabilization ensures a perfect finish. The POWER tiller is equipped for all conditions, and larger side wings adapt easily to the surface. To keep an eye on everything, the optional tiller camera is perfectly positioned to give the operator the best overview.

PATENTED PARALLEL OFFSET

With its special rear attachment frame and patented parallel offset, the LEITWOLF can keep its tiller and finisher comb parallel to the direction of travel. Working up to 45 cm outside the tracks while remaining in the direction of travel is no problem. PRINOTH's exceptional tilling technology produces a perfect finish, even when overlapping or working next to obstacles, in any snow conditions and in difficult driving situations.



CABIN COMFORT FOR HIGH STANDARDS

A COCKPIT FOR TOP PERFORMANCE

Modern, stylish, quiet, comfortable – the LEITWOLF's enlarged cabin makes grooming a pleasure. A generous footwell provides plenty of legroom and the cabin's ergonomic design, including its tailored Recaro seat, make the cockpit the home base for producing perfect slopes. Its center seat and tilting touch display give a great all-round view and allow the operator to get in and out on either side, a big advantage for winch vehicles.

THE PERFECT TEMPERATURE

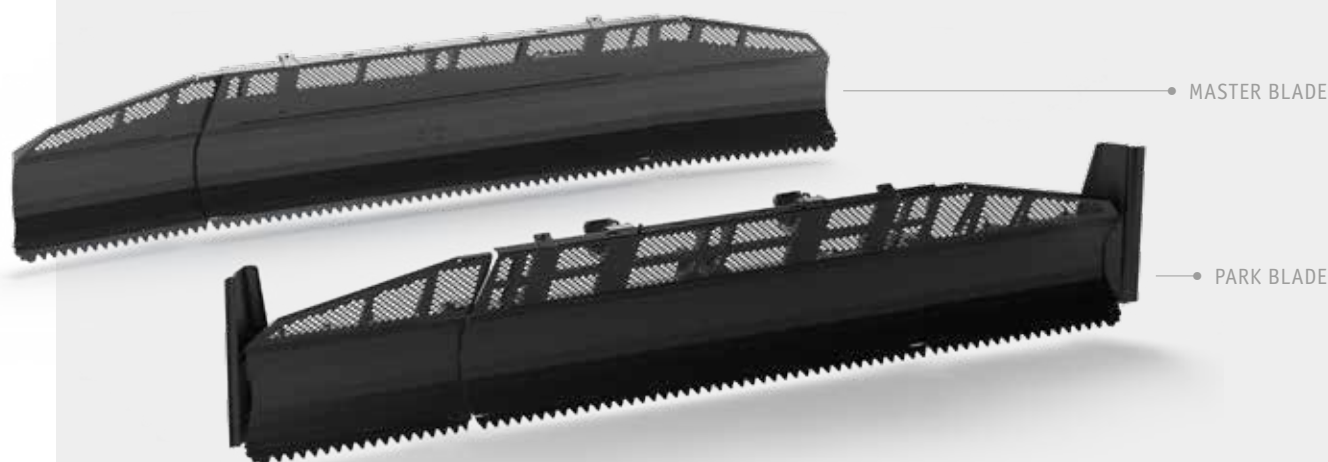
New footwell and windscreen heating fitted as standard and an integrated sunroof give full temperature control.

Optional: fully automatic air conditioning ensures the perfect temperature in any condition.

MEETING EVERY REQUIREMENT

Maximum pushing power guaranteed – PRINOTH's innovative approach relies on a special blade radius that keeps the snow rolling inside the blade, reducing the amount of force required and increasing the amount of snow being pushed. PRINOTH blades are ready for anything.

With 12 directions of movement, the blades offer maximum efficiency and precision - all controlled through the precise joystick. Blade teeth are designed with the optimal angle to break through ice and snow. Integrated anchor points allow carrying of equipment such as snow guns, transport boxes and transport forks. Frontal snow-throwers or pipe cutters can also be attached in place of the blade.



BEST IN CLASS – MASTER BLADE AND PARK BLADE

With the widest blade on the market, PRINOTH offers unbeatable pushing performance. Whether fitted with the MASTER blade or PARK blade, PRINOTH groomers guarantee consistent levels of pushing force on every pass. Together with precision, even close to obstacles on the slopes, our blades combine power and accuracy.



ADJUSTABLE DRIVE FOR EVERY SCENARIO

Raising the running gear reduces the track contact area and cross-piece contact, and lowering it increases them. The result: improved maneuverability, exceptional climbing ability and improved pushing power – the advantages of active running gear are clear.



EUROMOT STAGE V

POWERFUL AND MORE SUSTAINABLE

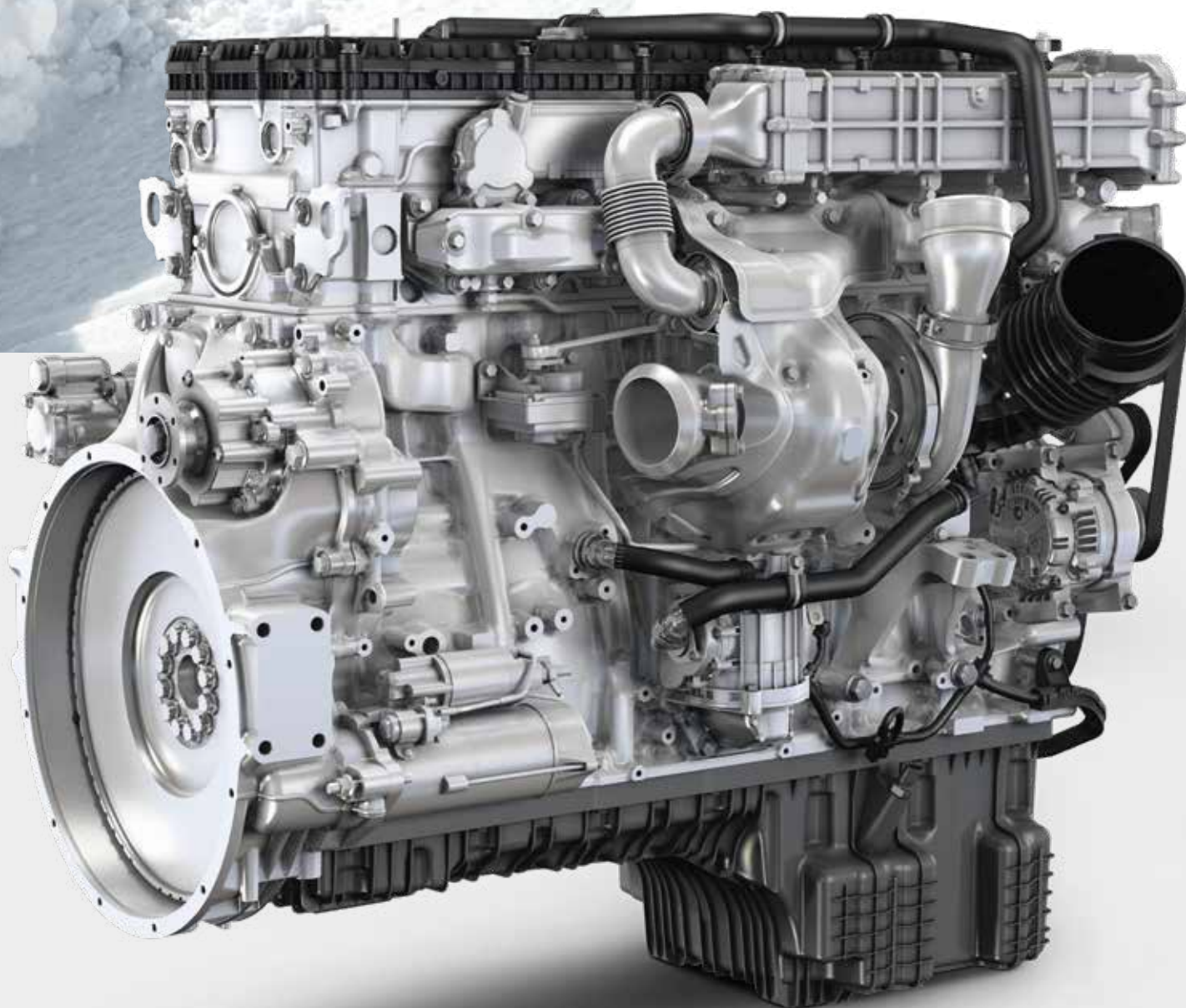
Clean and powerful – the engines in PRINOTH snow groomers offer low fuel consumption, low emissions and unrivaled performance.

An MTU straight-six engine produces 530 hp/390 kW and an impressive maximum torque of 2,600 Nm, making the LEITWOLF the world's most powerful groomer. Cooled exhaust gas treatment reduces emissions to a minimum, and, combined with low fuel consumption, makes the LEITWOLF the cleanest and most efficient groomer in its class. A real-life consumption of 4% AdBlue in proportion to diesel helps keep operating costs low.

Added bonus: with its low maintenance and running costs, the MTU engine is the perfect choice for the LEITWOLF - the most demanding snow groomer.



- ENGINE: MTU 6R 1300
- OUTPUT: 530 hp / 390 kW @ 1,600 m⁻¹
- TORQUE 2,600 Nm @ 1,300 m⁻¹





PRINOTH TRACKS

LIMITLESS POSSIBILITIES

Providing the best contact between the vehicle and snow layer. Whether new snow or powder, ice or asphalt, stony surfaces or glaciers – PRINOTH's portfolio of high-grade tracks is guaranteed to meet every need.

STEEL TRACKS – HARD AS NAILS FOR THE TOUGHEST CONDITIONS

PRINOTH's all-rounder boasts long life and minimum wear. Thanks to its overlapping locks, it is easy to handle and service.

GAMSKETTE TRACKS – THE MANEUVERABLE, FLEXIBLE OPTION

With their excellent climbing abilities and maneuverability, these similarly long-lasting tracks are made for all types of vehicles and also feature overlapping locks, making them easy to use and service.

TIME IS MONEY - CONNECTED SERVICES

PRINOTH's Connected Services offer efficient ways of reducing workload and saving money. Modern technologies assist in managing snow as a valuable resource. They help improve operations by making work quicker, cheaper and easier. They also offer ways to increase sustainability within a ski resort and beyond. The functions shown below can be used easily, simply by accessing Skadii – the resort management platform. Data from different software and hardware providers are shown together in one integrated user interface.

FLEET MANAGEMENT*

Using the latest transmission technology, live location and working data from all vehicles within the ski resort regardless of vehicle manufacturer can be transmitted. Web-based applications such as Task Manager and Maintenance Overview show information, services due, and work operations in real-time, making it easier and more efficient to manage a ski resort than ever before.



SNOW DEPTH MEASUREMENT*

The satellite-based snow depth measuring system guarantees precise snow management at any speed. Snow depth is determined using three measurement points beneath the blade and another beneath the vehicle itself. This generates highly accurate data in real time.



USER FRIENDLY

The tools offered on the Skadii platform are intuitive and easy to use. The digital solutions are developed in close collaboration with customers with a focus on the essentials: no unnecessary information or software applications to tie up processor power, so data loads quickly.



CONNECTIVITY

The data is displayed via a single user interface. This means there is no need to switch between different programmes. The advantage is a solution that saves time while ensuring constant connection to the data, helping manage slopes and ski resorts more efficiently.



*The modules can be purchased and used separately or as a package



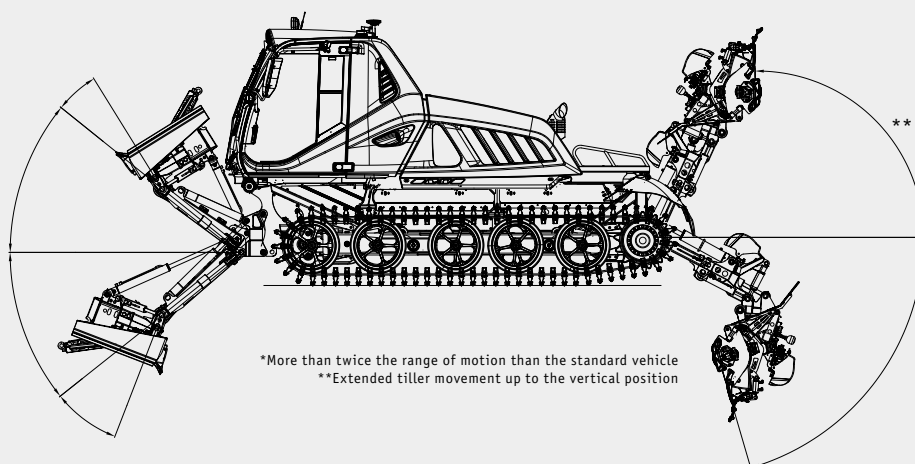
• LEITWOLF X WITH WINCH AND POWER TILLER



• LEITWOLF X WITH POWER TILLER

LEITWOLF X – FOR WORLD-CLASS PARKS

The additional features of the X version make the LEITWOLF a star groomer for building and maintaining parks. Extended blade and tiller movement mean there are virtually no limits to building any park features. Inclinometers with a display for longitudinal and transverse direction help to build jumps and landings with high precision, and a distance meter helps to determine the ideal distance between the obstacles ensuring proper park flow. Also included in the X package – an integrated rear-view camera for an unobstructed view.



THE ULTIMATE PARK BLADE

Construct enormous kickers and complex obstacles easily thanks to the precision control and pushing capability. Ingeniously constructed, the PRINOTH Park blade has a specially fitted dragging bar designed to scrape off jumps and landings more evenly and effectively. Side cutters give precision and allow for shaping sharp edges when designing features. The benefits are less work for the crew – saving time and money.

ADJUSTABLE RUNNING GEAR – FOR EVERY SCENARIO

The benefits of active running gear are especially evident in parks. Quick to raise and lower, it influences agility and traction when maneuvering, pushing and climbing. This makes the LEITWOLF X the perfect companion in park building.



Prinoth
AFTER SALES NETWORK

THE RIGHT PARTNER FOR EVERY ASPECT OF GROOMING

Innovation, quality, professionalism, care – for over 60 years, PRINOTH has set the standards not only on the slopes, but also in terms of service. With its dependable all-round packages, ranging from top-level advice, to outstanding customer service, to attractive training courses.

PRINOTH AFTER SALES SERVICE

Expert support and technical assistance during inspections, repairs and maintenance work are all part of PRINOTH's customer service.

- Worldwide infrastructure with qualified service partners and trained field staff on location
- Fast, flexible, reliable service
- Available around the clock, including emergency helpline
- PRINOTH genuine spare parts and special tools for any emergency



PRINOTH ACADEMY

Knowledge and skill are the foundations for perfectly groomed slopes, parks and trails. PRINOTH offers technicians and operators the opportunity to acquire unique groomer expertise.

- Learn from the best – an experienced team of trainers teach comprehensive theoretical and practical knowledge
- eLearning – flexible online training courses any time, any place
- PRINOTH's three-level system – Basic, Advanced and Expert, takes the participant step-by-step through the training material. Graduates receive an official certificate upon completion.

www.prinoth.com/academy



PRINOTH PARTS SHOP

Simple, quick, straightforward – getting the right parts is easy. Available at any time, clearly laid out, no long waiting times – make decisions quickly and improve planning through the PRINOTH parts shop.

- One-stop shopping
- A complete range of certified OEM parts
- Real-time availability
- Attractive spare parts kits
- Transparent prices

parts-shop.prinoth.com



TECHNICAL SPECIFICATIONS

DIMENSIONS AND WEIGHT

Total vehicle length	5,350 mm
Total length: vehicle with attachments	9,465 mm
Total height with tracks (without winch)	2,882 mm
Track working width	4,500 mm
Transport dimensions (length/width/height)	7,530 / 2,780 / 2,770 mm
Clearing blade with side wing open (Standard)	5,950 mm
Clearing blade with side wing open (Park)	5,674 mm
Clearing blade with side wing closed (Standard)	5,050 mm
Clearing blade with side wing closed (Park)	4,625 mm
Tiller with raised side wings	5,610 mm
Tiller with lowered side wings	6,430 mm
Weight with tracks, blade and tiller	from 11,443 kg
Weight winch (850 m cable)	from 2,096 kg

DRIVING SPECIFICATIONS

Max. speed	till 22.5 km/h
Turning circle	0 (around its own axis)

ENGINE

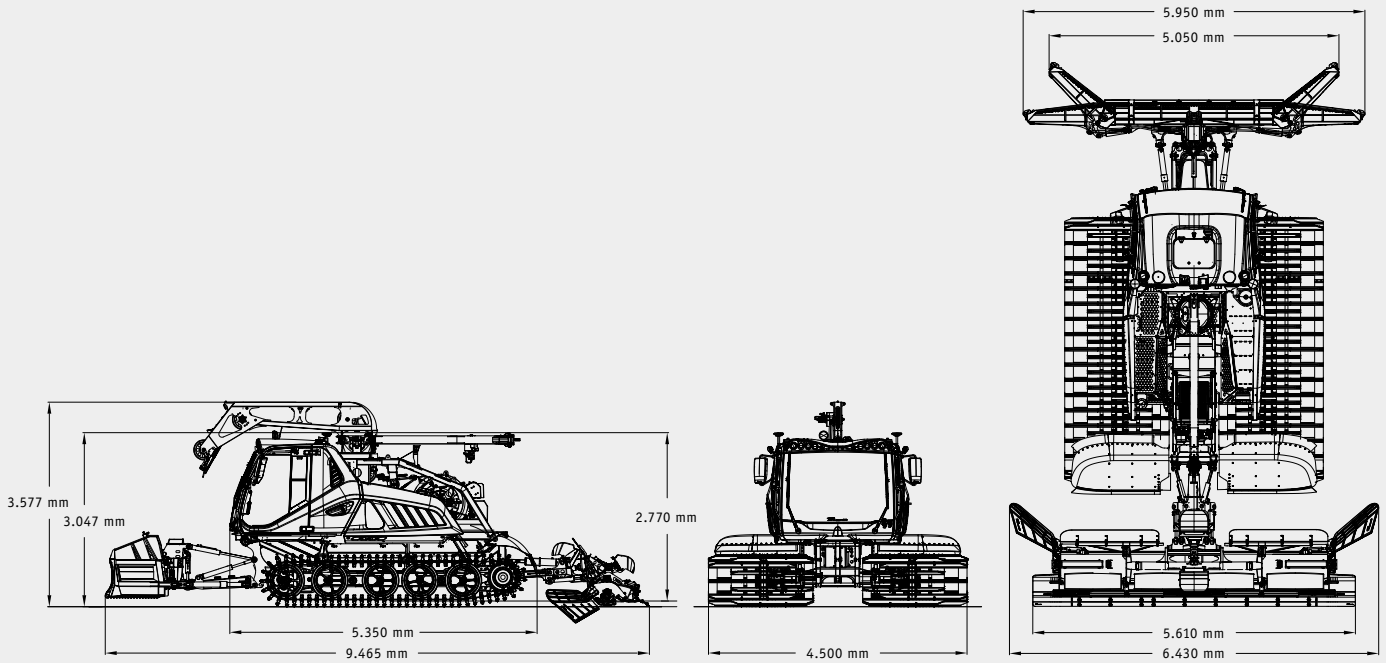
Model	MTU 6R 1300
Emission standard	Euromot Stage V
Fuel types	Diesel, HVO, GTL and BTL*
Power output (ECE)	390 kW / 530 CV @ 1.600 min ⁻¹
Torque	2,600 Nm @ 1,300 min ⁻¹
Capacity	12,800 cm ³
Cylinder configuration	straight-6
Tank capacity diesel	320 l** / 265 l
Tank capacity	AdBlue® 40 l

AUTOMATIC WINCH

Maximum pulling force	44.1 kN / 4.5 t
Maximum cable length	up to 1,200 m
Cable diameter	11 mm
Cable breaking load	150 kN
AUTOMATIC winch	selectable modes AUTO / ECO / MANUAL

LIGHTS

Four LED working lights at front – dimmable	Two position lights and directional indicators
Two dipped-beam lights	Two rotating lights
Two LED working lights at rear – dimmable	One search light
Two LED foglights on mirror holders	



OPERATOR CABIN

Operator seat: RECARO comfort center seat with pneumatic suspension, height adjustable

Passenger seat left, storage compartment right

PRINOTH Control Unit: new 12" touch display, new armrest with multifunctional joystick, steering lever,

Multimedia box with digital radio, MP3/WMA, Bluetooth, AUX-In, USB, Bluetooth hands-free system

Radio set ready

Heated side mirrors, heated front, rear and side windows

Automatic heating and ventilation with touchscreen control, footwell heating system

Electro-hydraulic tilting cab

ROPS tested pursuant to EN 15059

PARK FUNCTIONS

Inclinometer for vehicle and front clearing blade

Extended radius of movement for

park building blade and tiller

Distance meter, Rear view camera

Park blade with side cutters for shaping park features

STANDARD FUNCTIONS

Parallel tiller offset

Active undercarriage

Floating position

Hydraulic track tensioning

Cruise control

On-board diagnostics

Reversing alarm

Automatic heating system

Engine preheating

Personalised operator settings stored via NFC

Loading platform (standard vehicle)

Central locking

OPTIONS

Seatbelt tensioners

Additional siren

Fleet management

Measurement of snow depth

Front hydraulics

PRINOTH carpet

Right passenger seat

Filled with bio-oil ex works

Rear view camera on solo vehicle

Snow chamber on the POWER tiller

Storage bag

Tiller camera with LED lighting

Air conditioning system

Towing hook

PRINOTH AG

Brennerstraße 34
39049 Sterzing (BZ)
ITALY
Tel. +39 0472 72 26 22
Fax +39 0472 72 26 18
prinoth@prinoth.com

PRINOTH LLC

2746 Seeber Drive Bldg B
Grand Junction, CO 81506
USA
Tel. +1 970 242 7150
Fax +1 970 241 6722
prinoth.us@prinoth.com

PRINOTH AG

Gemmistrasse 45
3970 Salgesch
SWITZERLAND
Tel. +41 27 456 26 56
Fax +41 27 456 47 00
info@prinoth.ch

PRINOTH Ltd

1001, J.-A. Bombardier
Granby Qc J2J 1E9
CANADA
Tel. +1 450 776 3600
Fax +1 450 776 3685
prinoth.canada@prinoth.com

PRINOTH GmbH

Michael-Seeber-Straße 1
6410 Telfs
AUSTRIA
Tel. +43 526 262 121
Fax +43 526 262 123 160
prinoth.austria@prinoth.com

PRINOTH AB

Hantverksvägen 1A
78064 Lima
SWEDEN
Tel. +46 280 266 10
info@prinoth.se

PRINOTH S.A.S.

5, Rue Galilée Alpespace B.P. 62
73802 Montmelian, Cedex
FRANCE
Tel. +33 479 84 76 76
Fax +33 479 84 76 77
prinoth.france@prinoth.com

PRINOTH sp. z o.o.

ul. Zdrojowa 49
33-300 Nowy Sacz
POLAND
Tel. +48 574 919 540
prinoth.polska@prinoth.com